

FORM+



FLOW | BATHTUB SPOUT WITH DIVERTER

SKU: 25-5555-XX

PRODUCT FEATURES

- + Premium cast zinc construction provides exceptional durability and reliability for long lasting performance.
- + Diverts water flow from spout to shower head
- + 1/2" Slip-on connection

SPECIFICATIONS

- + 1/2" Slip-on connection
- + Flow Rate min. 2.40gpm at 80psi
- + Finish co-ordinates with FORM+ plumbing collections

DIMENSIONS

M: 147mm

I: 6 7/8"

C: 1/2" Slip-On Connection

AVAILABLE FINISHES

Chrome, Brushed Chrome, Matte Black, Champagne, Brushed Nickel, Polished Nickel, Oil-Rubbed Bronze

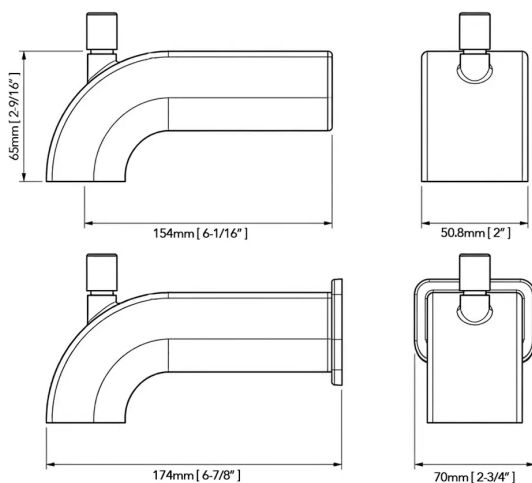
WARRANTY

PLUMBING HARDWARE

CERTIFICATIONS

Meets or exceeds the following standards and codes:
ASME A112.18.1/CSA B125.1
cUPC certified

DIMENSION DRAWING



Form+ Design Ltd. is committed to continuous product development and improvement. As part of this commitment, we reserve the right to modify product specifications without prior notice. Technical drawing not to scale. Products that are handcrafted and hand-finished are subject to a $\pm 1/4$ " variance in measurement. Machined products are subject to a 3% variance in measurement.

FORM+ Design Ltd.

www.formplusdesign.com · info@formplusdesign.com