

FORM+



SOLIS | FALL BATHROOM SINK FAUCET

SKU: 25-SOLISFALL-XX

PRODUCT FEATURES

- + Premium Lead-Free Brass construction provides exceptional durability and reliability for long lasting performance.
- + Single lever handle makes adjusting water temperature easy with one hand.
- + Coordinated design that complements the Solis collection and all FORM+ finish options

SPECIFICATIONS

- + Swiss NEOPERL laminar flow aerator.
- + Premium ceramic disc cartridge ensures years of drip-free performance.
- + Flow rate: Maximum 1.2 gpm @ 60 psi | 4.5 L/min @ 414 kPa

DIMENSIONS

M: 165mm
I: 6.5"

AVAILABLE FINISHES

Polished Chrome, Brushed Chrome, Matte Black, Champagne, Brushed Nickel

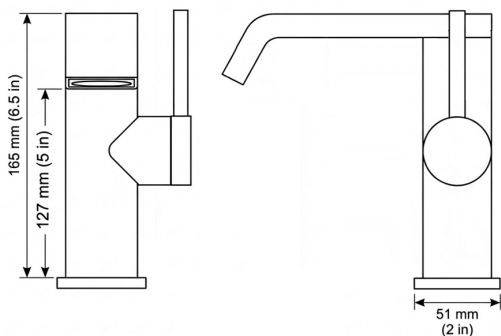
WARRANTY

LIMITED LIFETIME

CERTIFICATIONS

Meets or exceeds the following standards and codes:
ASME A112.18.1/CSA B125.1
cUPC certified

DIMENSION DRAWING



Form+ Design Ltd. is committed to continuous product development and improvement. As part of this commitment, we reserve the right to modify product specifications without prior notice. Technical drawing not to scale. Products that are handcrafted and hand-finished are subject to a $\pm \frac{1}{4}$ " variance in measurement. Machined products are subject to a 3% variance in measurement.

FORM+ Design Ltd.

www.formplusdesign.com · info@formplusdesign.com