

# FORM+



## FLUX | PRO+ STAINLESS STEEL KITCHEN FAUCET

SKU: 25-FLUXPRO-XX

### PRODUCT FEATURES

- + Premium 304 Stainless steel construction for lasting durability.
- + Pull-down spray head with smooth retraction.
- + Dual-function nozzle: laminar stream or spray.
- + Single-handle design for precise flow and temperature control.
- + Ceramic cartridge ensures drip-free, long-term performance.
- + Neoperl laminar flow aerator.

### SPECIFICATIONS

- + Flow rate: 1.5 gpm (5.68 lpm) @60 psi
- + Standard 3/8" compression supply line connections.

### DIMENSIONS

M: 452mm  
I: 17 13/16"

### AVAILABLE FINISHES

Stainless Steel, Polished Stainless Steel, Matte Black

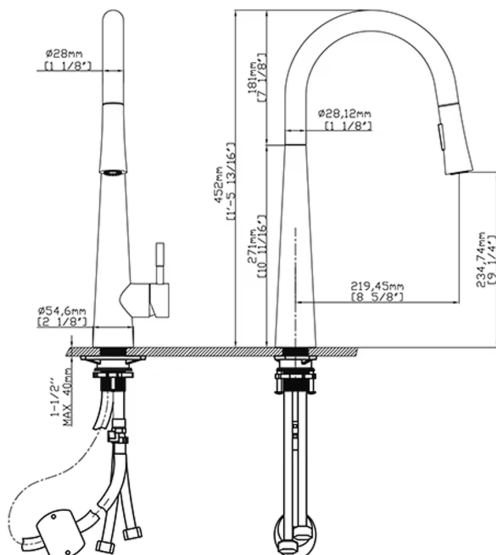
### WARRANTY

LIMITED LIFETIME

### CERTIFICATIONS

Meets or exceeds the following standards and codes:  
ASME A112.18.1/CSA B125.1  
cUPC certified

### DIMENSION DRAWING



Form+ Design Ltd. is committed to continuous product development and improvement. As part of this commitment, we reserve the right to modify product specifications without prior notice. Technical drawing not to scale. Products that are handcrafted and hand-finished are subject to a  $\pm 1/4$ " variance in measurement. Machined products are subject to a 3% variance in measurement.

**FORM+ Design Ltd.**

[www.formplusdesign.com](http://www.formplusdesign.com) · [info@formplusdesign.com](mailto:info@formplusdesign.com)