

FORM+



AETERNA 32" BATHROOM VANITY

SKU: AETERNA-32-XX

PRODUCT FEATURES

- + 2 drawers
- + Push-to-open drawer slides
- + Choice of White gloss or Matte Black composite washbasin included
- + Custom Faucet hole drilling upon request

SPECIFICATIONS

- + Integrated Sink overflow
- + Matte black stainless steel square legs
- + U shaped opening for plumbing

DIMENSIONS

M: 800mm x 518mm x 864mm

I: 31.5" x 20 3/8" x 34"

AVAILABLE FINISHES

Black Countertop | White Countertop

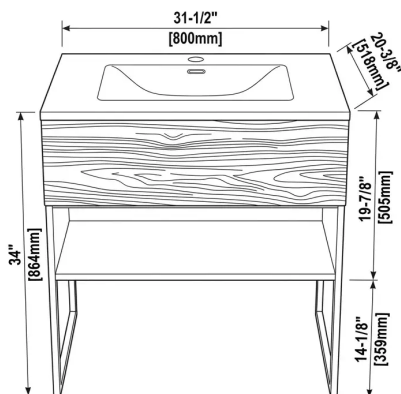
WARRANTY

2 Year Warranty

CERTIFICATIONS

Countertop + Basin cUPC certified

DIMENSION DRAWING



Form+ Design Ltd. is committed to continuous product development and improvement. As part of this commitment, we reserve the right to modify product specifications without prior notice. Technical drawing not to scale. Products that are handcrafted and hand-finished are subject to a $\pm \frac{1}{4}$ " variance in measurement. Machined products are subject to a 3% variance in measurement.

FORM+ Design Ltd.

www.formplusdesign.com · info@formplusdesign.com